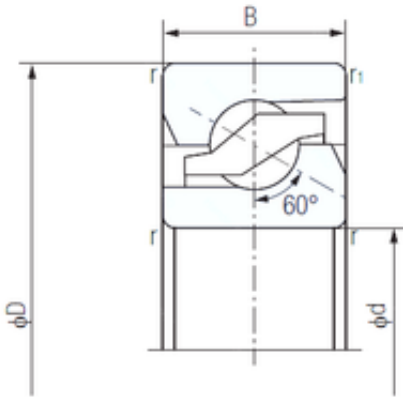




# UGE BEARING INDUSTRIAL CO., LTD.

## 35 mm x 72 mm x 15 mm NACHI 35TAB07 Longer Life Precision Bearings

Bearing No. 35TAB07



35TAB07 Bearing 2D drawings and 3D CAD models

Size	35x72x15 mm
Bore Diameter	35 mm
Outer Diameter	72 mm
Width	15 mm
d	35 mm
D	72 mm
B	15 mm
C	15 mm
Angle ( ° )	60 °
r min.	1 mm
r1 min.	0,6 mm
Weight	0,29 Kg
Basic dynamic load rating (C)	32,5 kN
Basic static load rating (C0)	54,3 kN
(Grease) Lubrication Speed	3750 r/min
Enclosure	Open
Configuration	Single Row
Bore Type	Cylindrical Bore
Bore Size	35 mm
Outside Diameter	72 mm
Width	15 mm
Fillet Radius/Chamfer	1 mm
r1	0.6 mm
a	0 mm
2B	30 mm



## UGE BEARING INDUSTRIAL CO., LTD.

Dynamic Load Rating	32,500 N
Static Load Rating	54,300 N
Limiting Speed - Grease	3,750 rpm
Limiting Speed - Oil	5,000 rpm
Starting Torque - Grease Lubrication	25 N · cm
da1 (min)	56.2 mm
da2 (min)	49.7 mm
Da1 (max)	56 mm
Da2 (max)	63.4 mm