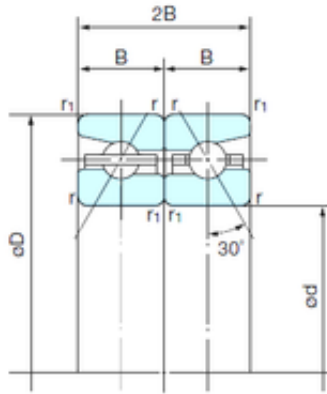




# UGE BEARING INDUSTRIAL CO., LTD.

100 mm x 150 mm x 22,5 mm NACHI  
100TAH10DB Light pressure contact seals  
Precision Bearings



Bearing No. 100TAH10DB

Size	100x150x22.5 mm
Bore Diameter	100 mm
Outer Diameter	150 mm
Width	22,5 mm
d	100 mm
D	150 mm
B	22,5 mm
Angle ( )	30 °
r min.	1.5 mm
r1 min.	1 mm
2B	45 mm
Basic dynamic load rating (C)	57 kN
Basic static load rating (C0)	147 kN
(Grease) Lubrication Speed	4800 r/min

100TAH10DB Bearing 2D drawings and 3D CAD models